



Technical Data - Electrical Ratings

Voltage Supply	12VDC / 12-80VDC/AC / 110-220VAC
Signal Type	Multi(Continuous/Flasher/Strobe/Rotate)
Light Colors	Red, Yellow, Green (Inquire for more colors)
Power Consumption	4 W
Connection	With Cable
Dimensions	128x 128x 99mm
Weight Approx	406g
Protection	IP65
Body Material	ABS
Mounting	Base Mounting
Luminous Source	LED
Lens Material	Polycarbonate



Temperature



High IP value



Shock / Vibration resistant

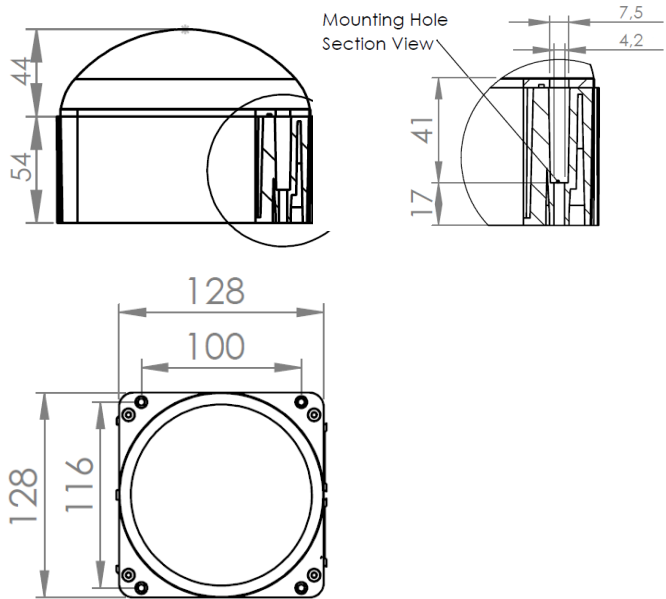


Magnetic field proof



SMD LED Light

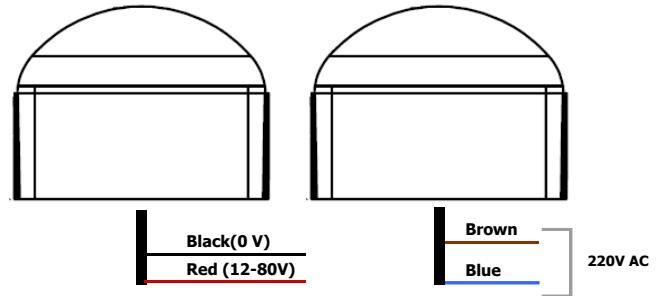
Technical Drawings



Connections

12-80 V

220V



Code Key

İL - XHP - 22BK

PRODUCT

HP: HP Series

SUPPLY VOLTAGE

12 : 12-80 VDC/VAC
22 : 220 VAC

LENS COLOR

- K : Red ●
- S : Yellow ●
- Y : Green ●
- M : Blue ●
- B : White ○

BUZZER

Blank: Without Buzzer
B : With Buzzer