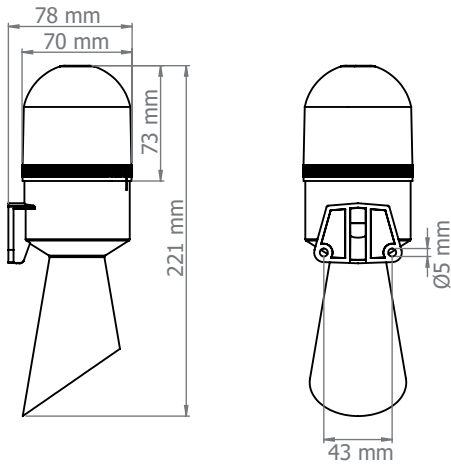




Technical Data - Electrical Ratings

Voltage Supply	12/24 VAC-VDC / 48-220 VAC	
Signal Type	Multi (Continuous/Flashing/Strobe)	
Light Colors	Red, Yellow, Green, Blue, White, Amber	
Power Consumption	R:3W G:2,2W Other Lights:1W Bzr:0,5W	
Connection	Cable	
Buzzer Output	105 dB @ 1 meter 127 dB @ 1 meter (Optional)	(B Type) (BH Type)
Buzzer Tone Type	Pulse 7 Melodies	(B Type) (BH Type)
Dimensions	Ø70 x 221 mm	
Weight Approx	214g	
Protection	IP65	
Body Material	ABS	
Mounting	Wall Mount	
Luminous Source	LED	
Lens Material	Polycarbonate	
Temperature Range	-20°C to +50° C	

Technical Drawings



Connections

12/24 VAC-VDC



Red (Buzzer / +24V)
Black (0V)

48-220 VAC



220 VAC

Code Key

İL - XMB - BH - 24K

SIGNAL TYPE

- S** : Continuous
- F** : Flashing
- Ç** : Strobe
- M** : Multi (Continuous / Flashing / Strobe)

LENS COLOR

- K** : Red ●
- S** : Yellow ●
- Y** : Green ●
- M** : Blue ●
- B** : White ○
- T** : Amber ●

BUZZER OPTION

- Blank** : No Buzzer
- B** : With Buzzer

SUPPLY VOLTAGE

- 12** : 12 VAC/VDC
- 24** : 24 VAC/VDC
- 11** : 110 VAC
- 22** : 220 VAC

BODY TYPE

- Q** : Q Type Horn
- B** : B Type Horn

BUZZER TYPE

- Blank** : With 105 dB Buzzer
- H** : With 127 dB Buzzer