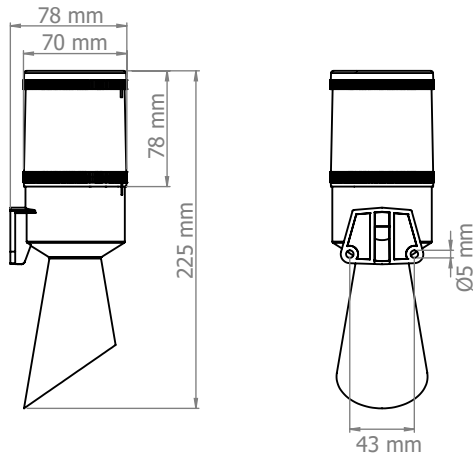




Technical Data - Electrical Ratings

Voltage Supply	12/24 VAC-VDC / 110-220 VAC	
Signal Type	Multi (Continuous/Flashing/Strobe)	
Light Colors	Red, Yellow, Green, Blue, White, Amber	
Power Consumption	R:3W G:2,2W Other Lights:1W Bzr:0,5W	
Connection	Cable	
Buzzer Output	105 dB @ 1 meter 127 dB @ 1 meter (Optional)	(B Type) (BH Type)
Buzzer Tone Type	Pulse 7 Melodies	(B Type) (BH Type)
Dimensions	82 x 82 x 102 mm	
Weight Approx	214g	
Protection	IP65	
Body Material	ABS	
Mounting	Wall Mount	
Luminous Source	LED	
Lens Material	Polycarbonate	
Temperature Range	-20°C to +50° C	

Technical Drawings



Connections

12/24 VAC-VDC



Red (Buzzer / +24V)
Black (0V)

110-220 VAC



220 VAC

Code Key

İL - XMB - BH - 241

SIGNAL TYPE

- S** : Continuous
- F** : Flashing
- Ç** : Strobe
- M** : Multi (Continuous / Flashing / Strobe)

BUZZER OPTION

- Blank** : No Buzzer
- B** : With Buzzer

BODY TYPE

- Q** : Q Type Horn
- B** : B Type Horn

BUZZER TYPE

- Blank** : With 105 dB Buzzer
- H** : With 127 dB Buzzer

NUMBER OF SEGMENTS

- 1** : R ●
- 2** : R / G ● ●
- 3** : R / G / Y ● ● ●
- 4** : R / G / Y / B ● ● ● ●
- 5** : R / G / Y / B / W ● ● ● ● ○

SUPPLY VOLTAGE

- 12** : 12 VAC/VDC
- 24** : 24 VAC/VDC
- 48** : 48 VDC/VAC
- 11** : 110 VAC
- 22** : 220 VAC