

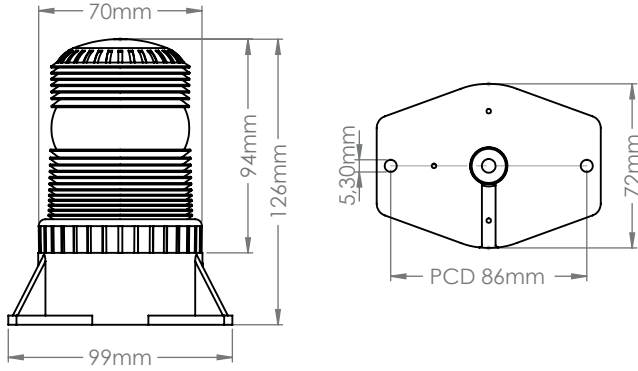


Technical Data - Electrical Ratings

Voltage Supply	12-80 VDC
Signal Type	Strobe *
Light Colors	Red, Green, Yellow, Blue, White, Amber
Power Consumption	Light:4W Bzr:0,5W
Connection	Cable or M12 Connector
Buzzer Output	120 dB @ 1 meter
Buzzer Tone Type	4 Melodies
Dimensions	99x 72 x 126 mm
Weight Approx	211g
Protection	IP65
Body Material	ABS
Mounting	Base Mount
Luminous Source	LED
Lens Material	Polycarbonate
Temperature Range	-20°C to +50° C

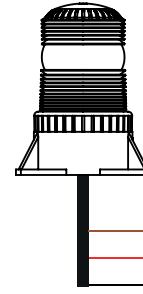
* Inquire for other modes

Technical Drawings



Connections

12-80 VDC



- Brown (Buzzer / 12-80 VDC)
- Red (12-80 VDC)
- Black (0V)

Code Key

İL - XÇB - F7 - 80K - A2

SIGNAL TYPE

Ç : Strobe

BUZZER

Blank : No Buzzer
B : With Buzzer

BODY

7 : Q70

CONNECTION

A2 : 2 Meter Cable
C5 : 5 Pin M12 Connector

LENS COLOR

K : Red ●
S : Yellow ●
Y : Green ●
M : Blue ●
B : White ○
T : Amber ●

SUPPLY VOLTAGE

80 : 12 -80 VAC/VDC