

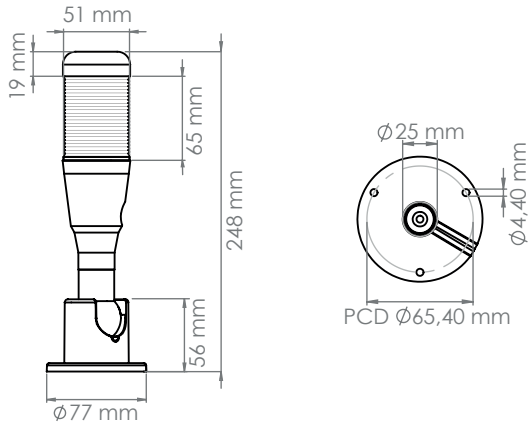


Technical Data - Electrical Ratings

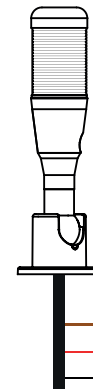
Voltage Supply	12VDC / 24VDC
Signal Type	Continuous
Light Colors	Red *
Power Consumption	R:1,4W Bzr:0,5W
Connection	Cable
Buzzer Output	92 dB @ 1 Meter
Buzzer Tone Type	Pulse
Dimensions	77 x 77 x 248 mm
Weight Approx	360g
Protection	IP65
Body Material	Anodized Aluminium
Mounting	Base Mount
Luminous Source	LED
Lens Material	Polycarbonate
Temperature Range	-20°C to +50°C

* Inquire for other modes

Technical Drawings



Connections



- Brown (Buzzer / +24V)
- Red (+24V)
- Black (0V)

Code Key

İL - XPRO - 241B

SERIES

Pro Series Light

BUZZER

Blank : No Buzzer
B : With Buzzer

SUPPLY VOLTAGE

12 : 12 VAC/VDC
24 : 24 VAC/VDC

NUMBER OF SEGMENTS

1 : R ●
2 : R / G ● ●
3 : R / G / Y ● ● ●
4 : R / G / Y / B ● ● ● ●
5 : R / G / Y / B / W ● ● ● ● ○