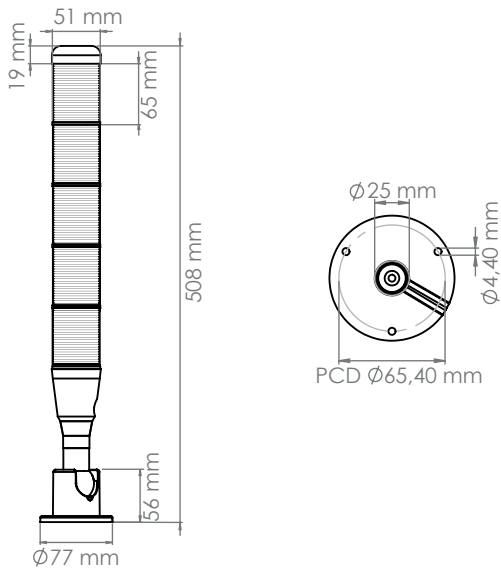




### Technical Data - Electrical Ratings

Voltage Supply	12VDC / 24VDC
Signal Type	Continuous
Light Colors	Red, Yellow, Green, Blue, White
Power Consumption	R:1,4W Other Lights:0,9W Bzr:0,5W
Connection	Cable
Buzzer Output	92 dB @ 1 Meter
Buzzer Tone Type	Pulse
Dimensions	77 x 77 x 508 mm
Weight Approx	600g
Protection	IP65
Body Material	Anodized Aluminium
Mounting	Base Mount
Luminous Source	LED
Lens Material	Polycarbonate
Temperature Range	-20°C to +50° C

### Technical Drawings



### Connections



- Brown (Buzzer / +24V)
- Red (+24V)
- Green (+24V)
- Yellow (+24V)
- Blue (+24V)
- White (+24V)
- Black (0V)

### Code Key

## İL - XPRO - 243B

#### SERIES

Pro Series Light

#### BUZZER

**Blank** : No Buzzer  
**B** : With Buzzer

#### SUPPLY VOLTAGE

**12** : 12 VAC/VDC  
**24** : 24 VAC/VDC

#### NUMBER OF SEGMENTS

**1** : R ●  
**2** : R / G ● ●  
**3** : R / G / Y ● ● ●  
**4** : R / G / Y / B ● ● ● ●  
**5** : R / G / Y / B / W ● ● ● ● ○