

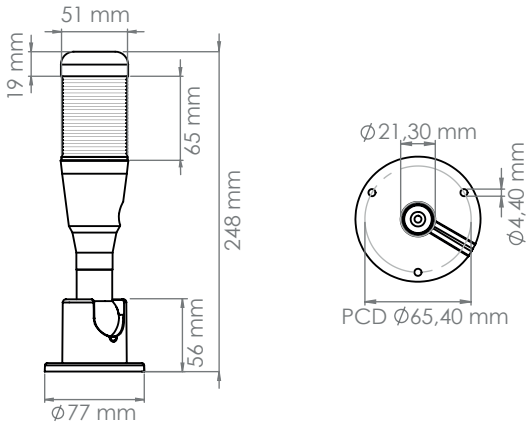


### Technical Data - Electrical Ratings

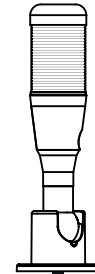
Voltage Supply	24VDC
Signal Type	Continuous
Light Colors	Red, Green, Yellow *
Power Consumption	R:1,4W G:0,9W Y:0,9W Bzr:0,5W
Connection	Cable
Buzzer Output	92 dB @ 1 Meter
Buzzer Tone Type	Pulse
Dimensions	77 x 77 x 248 mm
Weight Approx	412g
Protection	IP65
Body Material	Anodized Aluminium
Mounting	Base Mount
Luminous Source	LED
Lens Material	Polycarbonate
Temperature Range	-20°C to +50°C

\* Inquire for other modes

### Technical Drawings



### Connections



- Brown (Buzzer / +24V)
- Red (+24V)
- Green (+24V)
- Yellow (+24V)
- Black (0V)

### Code Key

## İL - XPRO - X324B

#### SERIES

Pro Series Light

#### BUZZER

**Blank** : No Buzzer  
**B** : With Buzzer

#### NUMBER OF SEGMENTS

**X3** : Single Level R / G / Y ● ● ●  
**X4** : Single Level R / G / Y / B ● ● ● ●

#### SUPPLY VOLTAGE

**24** : 24 VDC