

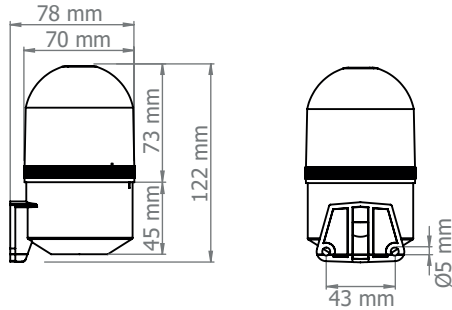


### Technical Data - Electrical Ratings

Voltage Supply	12/24 VAC-VDC / 110-220 VAC
Signal Type	Multi (Continuous / Flashing / Strobe)
Light Colors	Red, Yellow, Green *
Power Consumption	R:3W Y:1W G:2,2W Bzr:0,5W
Connection	Cable
Buzzer Output	105 dB @ 1 Meter
Buzzer Tone Type	Pulse
Dimensions	Ø70 x 122 mm
Weight Approx	214g
Protection	IP65
Body Material	ABS
Mounting	Wall Mount
Luminous Source	LED
Lens Material	Polycarbonate
Temperature Range	-20°C to +50° C

\* Inquire for other modes

### Technical Drawings



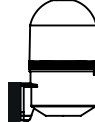
### Connections

#### 12/24 VAC-VDC



- Brown (Buzzer/+24V)
- Yellow (+24V)
- Green (+24V)
- Red (+24V)
- Black (0V)

#### 110-220 VAC



- Thick Black : 220 VAC IN
- Thick Red : 220 VAC IN
- Gray : 24 VDC OUT
- Brown(Buzzer)(24VDC)
- Yellow(24VDC)
- Green (24VDC)
- Red (24VDC)

### Code Key

## İL - XMB - Q - X324

#### SIGNAL TYPE

- S** : Continuous
- F** : Flashing
- Ç** : Strobe
- M** : Multi (Continuous/Flashing/Strobe)

#### BUZZER

- Blank** : No Buzzer
- B** : With Buzzer

#### BODY TYPE

- Q** : Q Type Horn
- B** : B Type Horn

#### SUPPLY VOLTAGE

- 12** : 12 VAC/VDC
- 24** : 24 VAC/VDC
- 48** : 48 VDC
- 11** : 110 VAC
- 22** : 220 VAC

#### LENS COLOR

- 3** : White( ● ● ● )