



Technical Data - Electrical Ratings

Voltage Supply	12/24V AC/DC / 48/220V AC/DC
Power Consumption	1W
Connection	With Cable
Buzzer Output	120 dB @ 1 meter (QH Type) 105 dB @ 1 meter (Q Type)
Buzzer Tone Type	7 Selectable Melodies (QH Type) Pulse (Q Type)
Dimensions	70 x 78 x 62mm
Weight Approx	130g
Protection	IP65
Body Material	ABS
Mounting	Base Mount



Temperature



High IP value



Shock / Vibration resistant

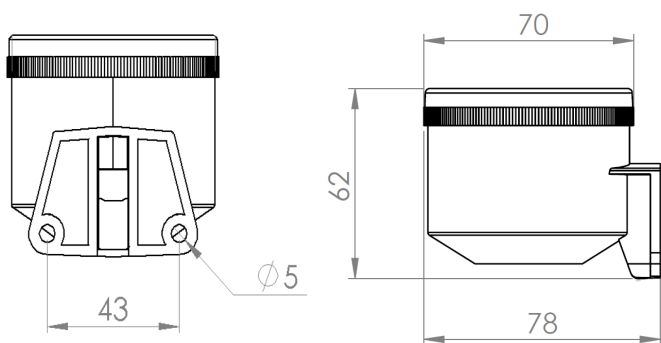


Magnetic field proof



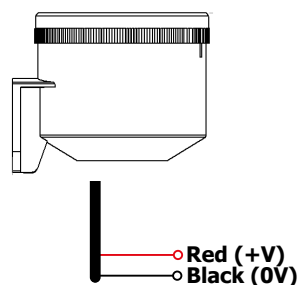
SMD LED Light

Technical Drawings

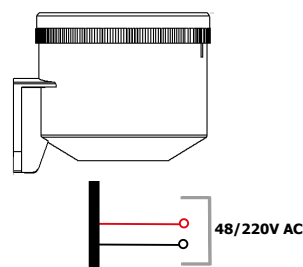


Connections

12/24V AC/DC



48/220V AC/DC



Code Key

İL - XB - QH - 24

BUZZER

Blank: No Buzzer
B : With Buzzer

BODY TYPE

Q : Q Type Horn
B : B Type Horn

SUPPLY VOLTAGE

12 : 12V DC/DC
24 : 24V AC/DC
48 : 48V AC/DC
11 : 110V AC
22 : 220V AC