

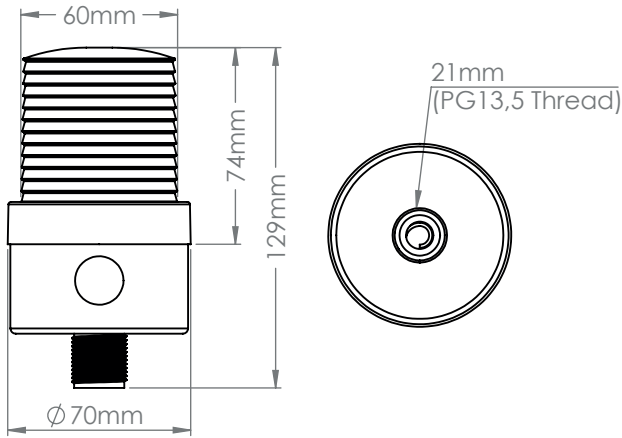


Technical Data - Electrical Ratings

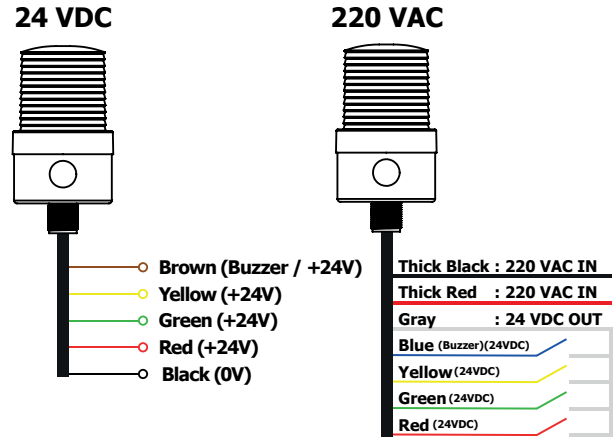
Voltage Supply	12/24 VAC-VDC / 48 VDC / 110-220 VAC
Signal Type	Multi (Continuous / Flashing)
Light Colors	Red, Yellow, Green *
Power Consumption	R:3,2W Y:1,2W G:2,2W, Bzr:0,5W
Connection	Cable or M12 Connector
Buzzer Output	92 dB @ 1 Meter
Buzzer Tone Type	Pulse
Dimensions	70 x 70 x 129 mm
Weight Approx	176,5g
Protection	IP65
Body Material	ABS
Mounting	PG13,5 Locknut
Luminous Source	LED
Lens Material	Polycarbonate
Temperature Range	-20°C to +50° C

* Inquire for other modes

Technical Drawings



Connections



Code Key

İL - XMB - R6 - 243 - A2

SIGNAL TYPE

- S** : Continuous
- F** : Flashing
- M** : Multi (Continuous/Flashing/Strobe)

BUZZER

- Blank** : No Buzzer
- B** : With Buzzer

MOUNTING TYPE

- R** : PG13,5 Locknut

BODY

- 6** : Q60

CONNECTION

- A2** : 2 Meter Cable
- C5** : 5 Pin M12 Connector

LENS COLOR

- 3** : White(● ● ●)

SUPPLY VOLTAGE

- 12** : 12 VAC/VDC
- 24** : 24 VAC/VDC
- 48** : 48 VDC
- 11** : 110 VAC
- 22** : 220 VAC