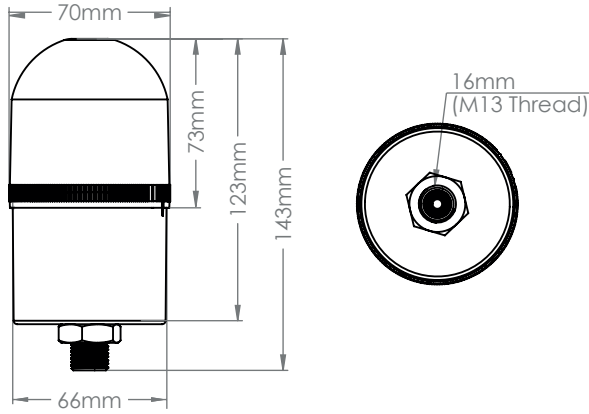




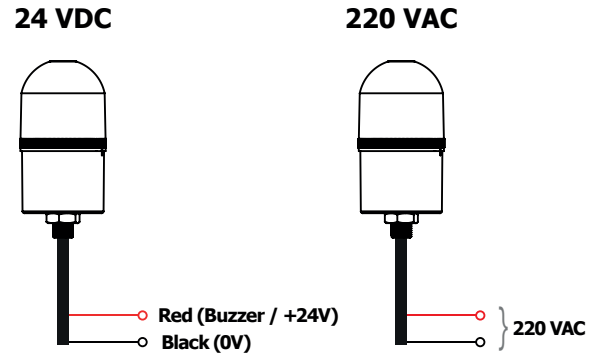
Technical Data - Electrical Ratings

Voltage Supply	12/24 VAC-VDC / 48 VDC / 110-220 VAC
Signal Type	Multi (Continuous / Flashing)
Light Colors	Red, Yellow, Green, Blue, White, Amber
Power Consumption	Light:2,4W Bzr:0,5W
Connection	Cable
Buzzer Output	92 dB @ 1 Meter
Buzzer Tone Type	Pulse
Dimensions	70 x 70 x 143 mm
Weight Approx	163g
Protection	IP65
Body Material	ABS
Mounting	M16 Hex Nut
Luminous Source	LED
Lens Material	Polycarbonate
Temperature Range	-20°C to +50° C

Technical Drawings



Connections



Code Key

İL - XMB - R7K - 24K

SIGNAL TYPE

- S** : Continuous
- F** : Flashing
- M** : Multi (Continuous/Flashing)

BUZZER

- Blank** : No Buzzer
- B** : With Buzzer

MOUNTING TYPE

- R** : M16 Hex Nut

BODY

- 7** : Q70

LENS COLOR

- K** : Red
- S** : Yellow
- Y** : Green
- M** : Blue
- B** : White
- T** : Amber

SUPPLY VOLTAGE

- 12** : 12 VAC/VDC
- 24** : 24 VAC/VDC
- 48** : 48 VDC
- 11** : 110 VAC
- 22** : 220 VAC

DOME LENS