

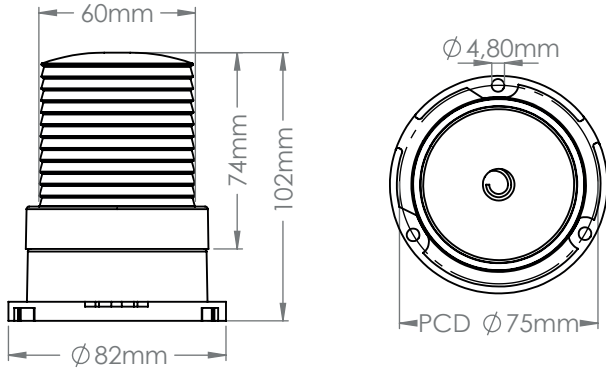


Technical Data - Electrical Ratings

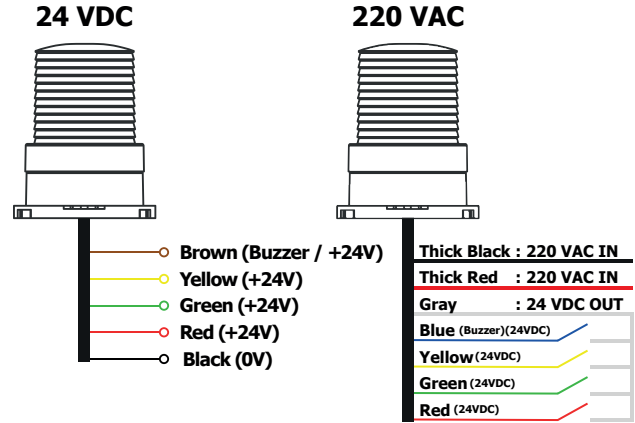
Voltage Supply	12/24 VAC-VDC / 48 VDC / 110-220 VAC
Signal Type	Multi (Continuous / Flashing)
Light Colors	Red, Yellow, Green *
Power Consumption	R:3,2W Y:1,2W G:2,2W, Bzr:0,5W
Connection	Cable or M12 Connector
Buzzer Output	92 dB @ 1 Meter
Buzzer Tone Type	Pulse
Dimensions	82 x 82 x 102 mm
Weight Approx	136g
Protection	IP65
Body Material	ABS
Mounting	Base Mount
Luminous Source	LED
Lens Material	Polycarbonate
Temperature Range	-20°C to +50° C

* Inquire for other modes

Technical Drawings



Connections



Code Key

İL - XMB - T6 - 243 - A2

SIGNAL TYPE

S : Continuous
F : Flashing
M : Multi (Continuous/Flashing/Strobe)

BUZZER

Blank : No Buzzer
B : With Buzzer

MOUNTING TYPE

T : Screw + Base Mounting

BODY

6 : Q60

CONNECTION

A2 : 2 Meter Cable
C5 : 5 Pin M12 Connector

LENS COLOR

3 : White(● ● ●)

SUPPLY VOLTAGE

12 : 12 VAC/VDC
24 : 24 VAC/VDC
48 : 48 VDC
11 : 110 VAC
22 : 220 VAC