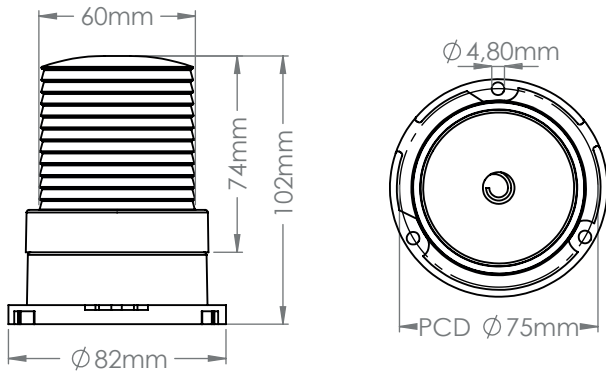




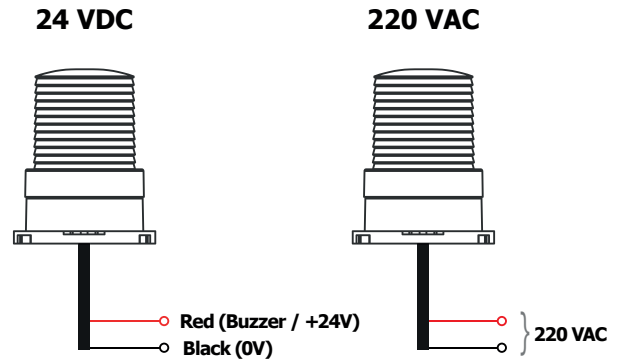
Technical Data - Electrical Ratings

| | | |
|-------------------|--|-----------------------|
| Voltage Supply | 12/24 VAC-VDC / 48 VDC / 110-220 VAC | |
| Signal Type | Multi (Continuous/Flashing/Strobe/Rotate) | |
| Light Colors | Red, Yellow, Green, Blue, White, Amber | |
| Power Consumption | Light:3,2W Bzr:0,5W | |
| Connection | Cable or M12 Connector | |
| Buzzer Output | 92 dB @ 1 meter 110 dB @ 1 meter (Optional) | (B Type) (BH Type) |
| Buzzer Tone Type | Pulse 7 Melodies | (B Type) (BH Type) |
| Dimensions | 82 x 82 x 102 mm | |
| Weight Approx | 136g | |
| Protection | IP65 | |
| Body Material | ABS | |
| Mounting | Screw + Base Mounting | |
| Luminous Source | LED | |
| Lens Material | Polycarbonate | |
| Temperature Range | -20°C to +50° C | |

Technical Drawings



Connections



Code Key

İL - XMB - T6 - 24K - A2

SIGNAL TYPE

- S** : Continuous
- F** : Flashing
- D** : Rotate
- C** : Strobe
- M** : Multi (Continuous / Flashing / Strobe / Rotate)

BUZZER

- Blank** : No Buzzer
- B** : With 92 dB Buzzer
- BH** : With 110 dB Buzzer

MOUNTING TYPE

- T** : Screw + Base Mounting

BODY

- 6** : Q60

CONNECTION

- A2** : 2 Meter Cable
- C5** : 5 Pin M12 Connector

LENS COLOR

- K** : Red ●
- S** : Yellow ●
- Y** : Green ●
- M** : Blue ●
- B** : White ○
- T** : Amber ●

SUPPLY VOLTAGE

- 12** : 12 VAC/VDC
- 24** : 24 VAC/VDC
- 48** : 48 VDC
- 11** : 110 VAC
- 22** : 220 VAC