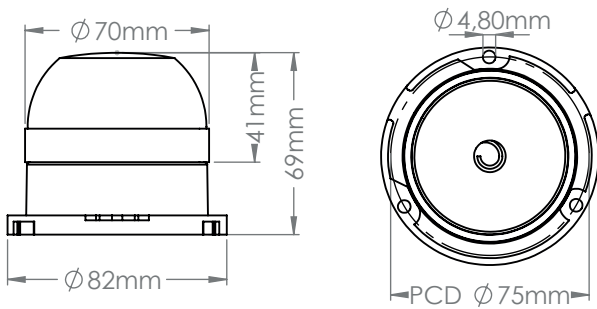




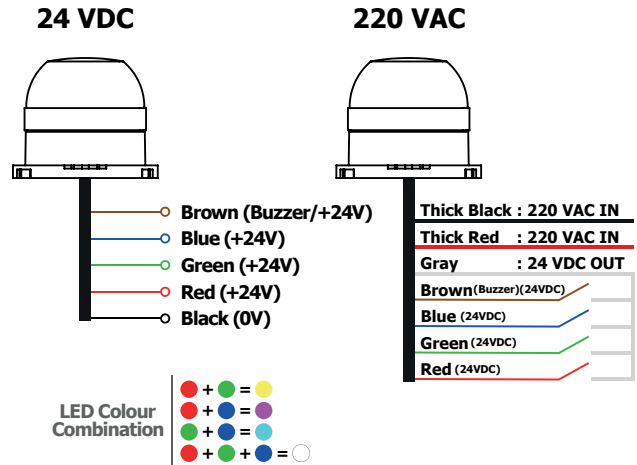
Technical Data - Electrical Ratings

Voltage Supply	12/24 VAC-VDC / 48 VDC / 110-220 VAC	
Signal Type	Multi (Continuous / Flashing / Strobe)	
Light Colors	Red,Green,Blue,Yellow,Cyan,Magenta,White	
Power Consumption	R:1,5W G,B:2W Y,M:2,5W C,W:3W Bzr:0,5W	
Connection	Cable	
Buzzer Output	92 dB @ 1 meter 110 dB @ 1 meter (Optional)	(B Type) (BH Type)
Buzzer Tone Type	Pulse 7 Melodies	(B Type) (BH Type)
Dimensions	82 x 82 x 102 mm	
Weight Approx	136g	
Protection	IP65	
Body Material	ABS	
Mounting	Screw + Base Mounting	
Luminous Source	LED	
Lens Material	Polycarbonate	
Temperature Range	-20°C to +50° C	

Technical Drawings



Connections



Code Key

İL - XMB - T6K - 247

SIGNAL TYPE

M : Multi (Continuous/Flashing/Strobe)

BUZZER

Blank : No Buzzer
B : With Buzzer
BH : With 110 dB Buzzer

MOUNTING TYPE

T : Screw + Base Mounting

BODY

6 : Q60

LENS COLOR

7 : White (●●●●●●○)

SUPPLY VOLTAGE

12 : 12 VAC/VDC
24 : 24 VAC/VDC
48 : 48 VDC
11 : 110 VAC
22 : 220 VAC

DOME LENS