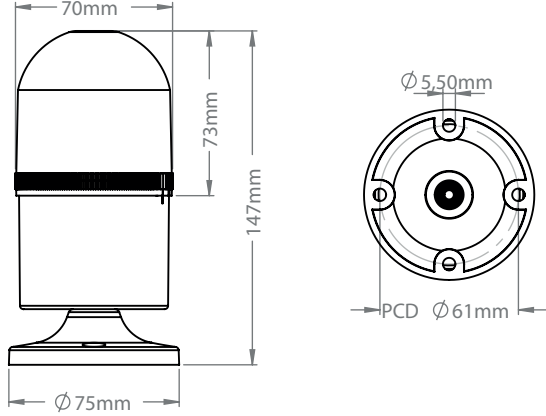




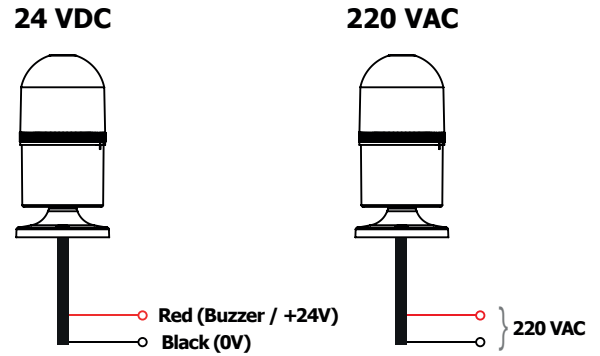
Technical Data - Electrical Ratings

Voltage Supply	12-24 VAC-VDC / 48 VDC / 110-220 VAC	
Signal Type	Multi (Continuous/Flashing/Strobe/Rotate)	
Light Colors	Red, Yellow, Green, Blue, White, Amber	
Power Consumption	Light:2,4W Bzr:0,5W	
Connection	Cable	
Buzzer Output	92 dB @ 1 meter 110 dB @ 1 meter (Optional)	(B Type) (BH Type)
Buzzer Tone Type	Pulse 7 Melodies	(B Type) (BH Type)
Dimensions	Ø75 x 178 mm	
Weight Approx	175g	
Protection	IP65	
Body Material	ABS	
Mounting	Base Mount	
Luminous Source	LED	
Lens Material	Polycarbonate	
Temperature Range	-20°C to +50°C	

Technical Drawings



Connections



Code Key

İL - XMBH - T7K - 24K

SIGNAL TYPE

- S** : Continuous
- F** : Flashing
- D** : Rotate
- Ç** : Strobe
- M** : Multi (Continuous / Flashing / Strobe / Rotate)

BUZZER

- Blank** : No Buzzer
- B** : With 92 dB Buzzer
- BH** : With 110 dB Buzzer

MOUNTING TYPE

- T** : Screw + Base Mounting

BODY

- 7** : Q70

LENS COLOR

- K** : Red
- S** : Yellow
- Y** : Green
- M** : Blue
- B** : White
- T** : Amber

SUPPLY VOLTAGE

- 12** : 12 VAC/VDC
- 24** : 24 VAC/VDC
- 48** : 48 VDC
- 11** : 110 VAC
- 22** : 220 VAC

DOME LENS