

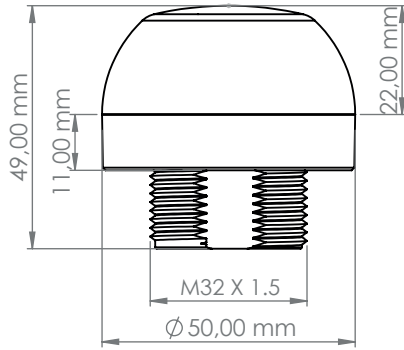


### Technical Data - Electrical Ratings

Voltage Supply	24 VDC
Signal Type	Continuous
Light Colors	Red, Yellow, Green *
Power Consumption	R:1,3W Y:0,9W G:0,9W
Connection	Cable, M12 Connector
Buzzer Output	No Buzzer - See V50B Family for Buzzer
Buzzer Tone Type	No Buzzer - See V50B Family for Buzzer
Dimensions	50 x 50 x 49 mm
Weight Approx	63,5g
Protection	IP65
Body Material	ABS
Mounting	Panel Mount With M32 Lock Nut
Luminous Source	LED
Lens Material	Polycarbonate
Temperature Range	-20°C to +50° C

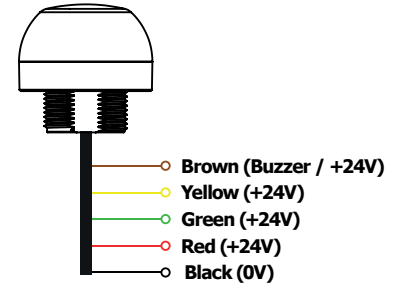
\* Inquire for other modes

### Technical Drawings



### Connections

#### 24 With Cable



### Code Key

## İL - XV50 - Q12

#### MOUNTING TYPE

**V** : Panel Mount With M32 Lock Nut

#### BODY

**50** : Q50

#### CONNECTION

**Blank** : 1 Meter Cable  
**Q12** : 5 Pin M12 MAle Connector