

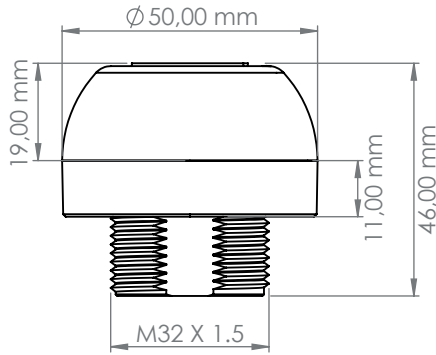


Technical Data - Electrical Ratings

| | |
|-------------------|-------------------------------|
| Voltage Supply | 24 VDC |
| Signal Type | Continuous |
| Light Colors | Red, Yellow, Green * |
| Power Consumption | R:1,3W Y:0,9W G:0,9W Bzr:0,1W |
| Connection | Cable, M12 Connector |
| Buzzer Output | 92 dB @ 1 meter |
| Buzzer Tone Type | Continuous |
| Dimensions | 50 x 50 x 46 mm |
| Weight Approx | 63g |
| Protection | IP65 |
| Body Material | ABS |
| Mounting | Panel Mount With M32 Lock Nut |
| Luminous Source | LED |
| Lens Material | Polycarbonate |
| Temperature Range | -20°C to +50° C |

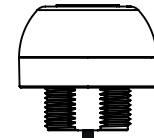
* Inquire for other modes

Technical Drawings



Connections

24 With Cable



- Brown (Buzzer / +24V)
- Yellow (+24V)
- Green (+24V)
- Red (+24V)
- Black (0V)

Code Key

İL - XV50B - Q12

MOUNTING TYPE

V : Panel Mount With M32 Lock Nut

BODY

50 : Q50

CONNECTION

Blank : 1 Meter Cable
Q12 : 5 Pin M12 Male Connector

BUZZER

Blank : No Buzzer
B : With Buzzer