

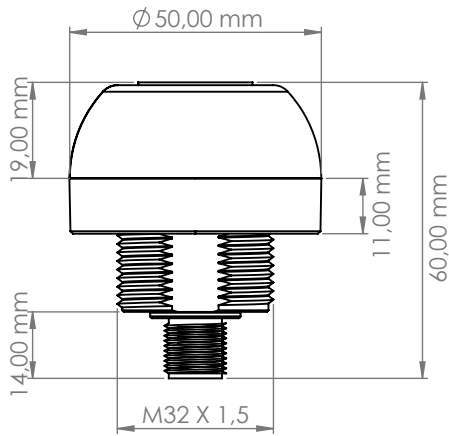


### Technical Data - Electrical Ratings

Voltage Supply	24 VDC
Signal Type	Continuous
Light Colors	Red, Yellow, Green *
Power Consumption	R:1,3W Y:0,9W G:0,9W Bzr:0,1W
Connection	M12 Connector
Buzzer Output	92 dB @ 1 meter
Buzzer Tone Type	Continuous
Dimensions	50 x 50 x 60 mm
Weight Approx	68g
Protection	IP65
Body Material	ABS
Mounting	Panel Mount With M32 Lock Nut
Luminous Source	LED
Lens Material	Polycarbonate
Temperature Range	-20°C to +50° C

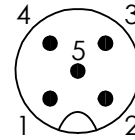
\* Inquire for other modes

### Technical Drawings



### Connections

#### M12 Male Connector



- |    |       |            |
|----|-------|------------|
| 1: | Brown | Green LED  |
| 2: | White | Red LED    |
| 3: | Blue  | GND        |
| 4: | Black | Yellow LED |
| 5: | Grey  | Buzzer     |

### Code Key

## İL - XV50B - Q12

#### MOUNTING TYPE

**V** : Panel Mount With M32 Lock Nut

#### BODY

**50** : Q50

#### CONNECTION

**Blank** : 1 Meter Cable  
**Q12** : 5 Pin Male M12 Connector

#### BUZZER

**Blank** : No Buzzer  
**B** : With Buzzer