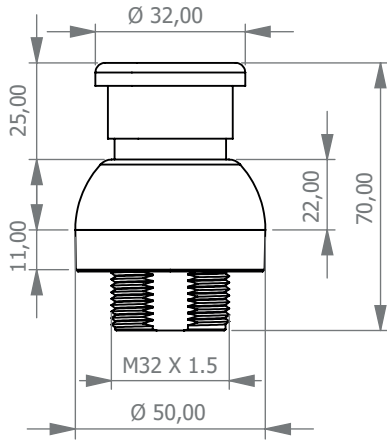




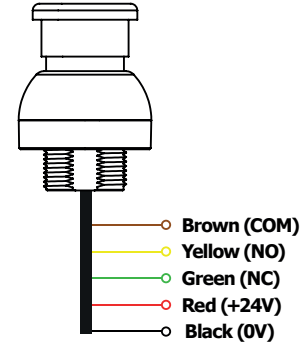
Technical Data - Electrical Ratings

Voltage Supply	24 VDC
Signal Type	Continuous
Light Colors	Push: Red, Armed: Yellow or Green
Power Consumption	R:1,3W Y:0,9W G:0,9W
Connection	Cable
Contacts	UI : 250V, Ith : 2A
Button Type	Ø32 mm, 1 NO 1 NC, Twist to Release
Dimensions	50 x 50 x 70 mm
Weight Approx	80g
Protection	IP65
Body Material	ABS
Mounting	Panel Mount With M32 Lock Nut
Luminous Source	LED
Lens Material	Polycarbonate
Temperature Range	-20°C to +50°C

Technical Drawings



Connections



Code Key

İL - XV50E - 10KY

MOUNTING TYPE

V : Panel Mount With M32 Lock Nut

BODY

50 : Q50

CONNECTION

Blank : Without Emergency Button
10 : With Emergency Button

LIGHT COLOR

KY : Push: Red, Armed: Green
KS : Push: Red, Armed: Yellow

CONTACTS

10 : 1 NO, 1 NC