

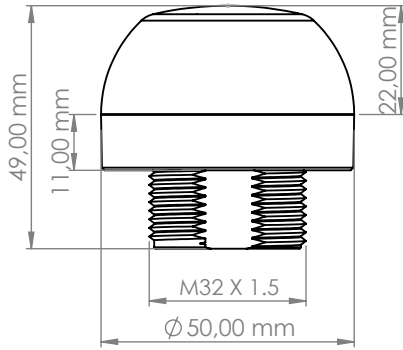


Technical Data - Electrical Ratings

Voltage Supply	24 VDC
Signal Type	Continuous
Light Colors	Red *
Power Consumption	R:1,3W
Connection	Cable, M12 Connector
Buzzer Output	No Buzzer - See V50B Family for Buzzer
Buzzer Tone Type	No Buzzer - See V50B Family for Buzzer
Dimensions	50 x 50 x 49 mm
Weight Approx	63,5g
Protection	IP65
Body Material	ABS
Mounting	Panel Mount With M32 Lock Nut
Luminous Source	LED
Lens Material	Polycarbonate
Temperature Range	-20°C to +50° C

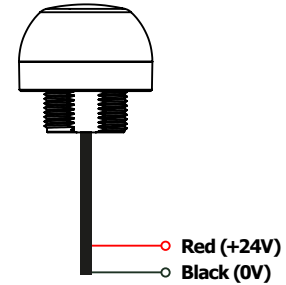
* Inquire for other modes

Technical Drawings



Connections

24 With Cable



Code Key

İL - XV50 - 24K

MOUNTING TYPE

V : Panel Mount With M32 Lock Nut

BODY

50 : Q50

COLOR

K : RED
Y : GREEN
S : YELLOW

VOLTAGE

24 : 24V
12 : 12V