

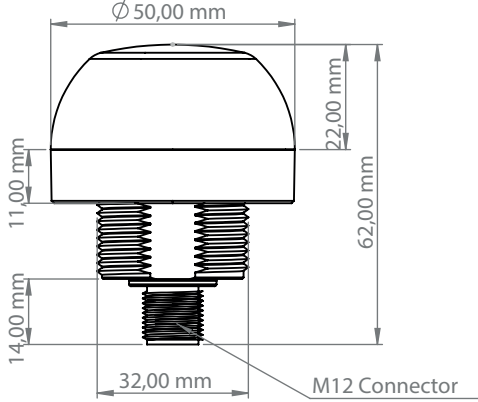


Technical Data - Electrical Ratings

Voltage Supply	24 VDC
Signal Type	Continuous
Light Colors	Red, Yellow, Green *
Power Consumption	R:1,3W Y:0,9W G:0,9W
Connection	M12 Connector
Buzzer Output	No Buzzer - See V50B Family for Buzzer
Buzzer Tone Type	No Buzzer - See V50B Family for Buzzer
Dimensions	50 x 50 x 62 mm
Weight Approx	68g
Protection	IP65
Body Material	ABS
Mounting	Panel Mount With M32 Lock Nut
Luminous Source	LED
Lens Material	Polycarbonate
Temperature Range	-20°C to +50° C

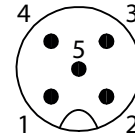
* Inquire for other modes

Technical Drawings



Connections

M12 Male Connector



- | | | |
|----|-------|------------|
| 1: | Brown | Green LED |
| 2: | White | Red LED |
| 3: | Blue | GND |
| 4: | Black | Yellow LED |
| 5: | Grey | Buzzer |

Code Key

İL - XV50 - Q12

MOUNTING TYPE

V : Panel Mount With M32 Lock Nut

BODY

50 : Q50

CONNECTION

Blank : 1 Meter Cable
Q12 : 5 Pin Male M12 Connector