

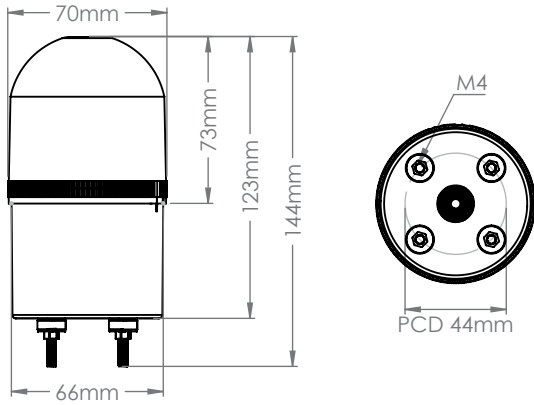


Technical Data - Electrical Ratings

Voltage Supply	12/24 VAC-VDC / 48 VDC / 110-220 VAC
Signal Type	Multi (Continuous / Flashing)
Light Colors	Red, Yellow, Green *
Power Consumption	Light:2,4W Bzr:0,5W
Connection	Cable
Buzzer Output	92 dB @ 1 Meter
Buzzer Tone Type	Pulse
Dimensions	70 x 70 x 144 mm
Weight Approx	145g
Protection	IP65
Body Material	ABS
Mounting	Bolt Mount
Luminous Source	LED
Lens Material	Polycarbonate
Temperature Range	-20°C to +50° C

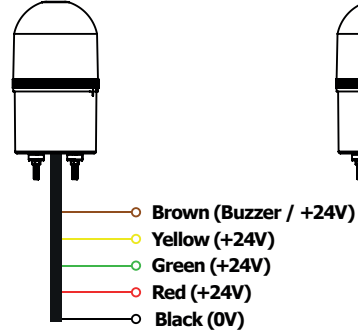
* Inquire for other modes

Technical Drawings

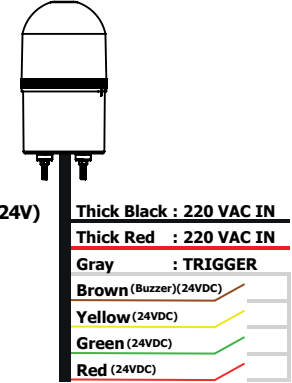


Connections

24 VDC



220 VAC



Code Key

İL - XMB - V7K - 243

SIGNAL TYPE

- S** : Continuous
- F** : Flashing
- M** : Multi (Continuous/Flashing/Strobe)

BUZZER

- Blank** : No Buzzer
- B** : With Buzzer

MOUNTING TYPE

- V** : Bolt Mount

BODY

- 7** : Q70

LENS COLOR

- 3** : White(● ● ●)

SUPPLY VOLTAGE

- 12** : 12 VAC/VDC
- 24** : 24 VAC/VDC
- 48** : 48 VDC
- 11** : 110 VAC
- 22** : 220 VAC

DOME LENS