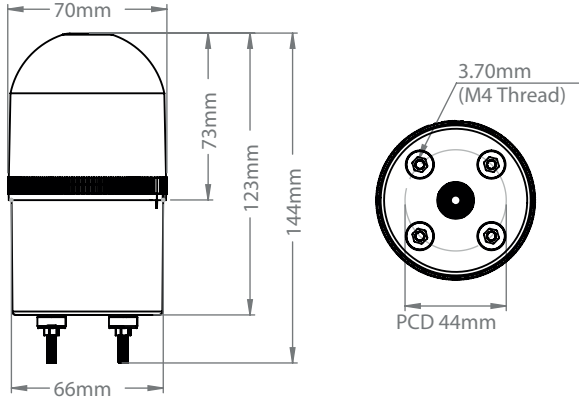




Technical Data - Electrical Ratings

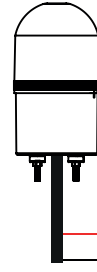
Voltage Supply	12/24 VAC-VDC / 48 VDC / 110-220 VAC
Signal Type	Multi (Continuous / Flashing)
Light Colors	Red, Yellow, Green, Blue, White, Amber
Power Consumption	Light:2,4W Bzr:0,5W
Connection	Cable
Buzzer Output	92 dB @ 1 Meter
Buzzer Tone Type	Pulse
Dimensions	70 x 70 x 144 mm
Weight Approx	145g
Protection	IP65
Body Material	ABS
Mounting	Bolt Mounting
Luminous Source	LED
Lens Material	Polycarbonate
Temperature Range	-20°C to +50° C

Technical Drawings



Connections

24 VDC



220 VAC



Red (Buzzer / +24V)
Black (0V)

220 VAC

Code Key

İL - XMB - V7K - 24K

SIGNAL TYPE

S : Continuous
F : Flashing
M : Multi (Continuous/Flashing)

BUZZER

Blank : No Buzzer
B : With Buzzer

MOUNTING TYPE

V : Bolt Mounting

BODY

7 : Q70

LENS COLOR

K : Red
S : Yellow
Y : Green
M : Blue
B : White
T : Amber

SUPPLY VOLTAGE

12 : 12 VAC/VDC
24 : 24 VAC/VDC
48 : 48 VDC
11 : 110 VAC
22 : 220 VAC

DOME LENS