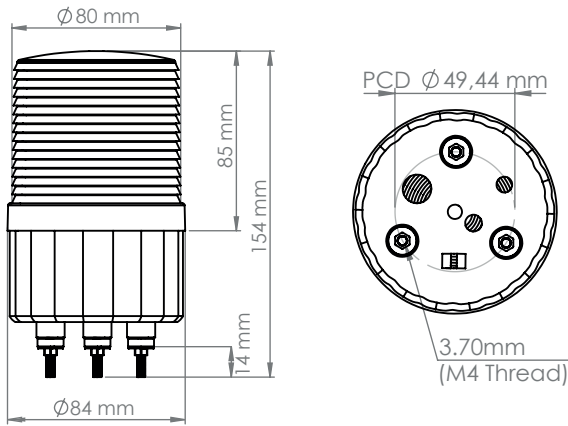




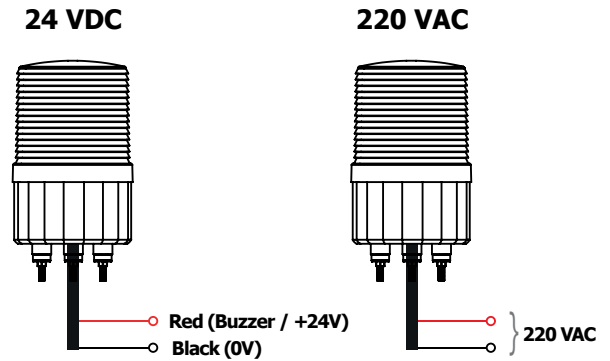
Technical Data - Electrical Ratings

Voltage Supply	12-24 VAC-VDC / 48 VDC / 110-220 VAC	
Signal Type	Multi (Continuous/Flashing/Strobe/Rotate)	
Light Colors	Red, Yellow, Green, Blue, White, Amber	
Power Consumption	Light:3,2W Bzr:0,5W	
Connection	Cable	
Buzzer Output	92 dB @ 1 meter 110 dB @ 1 meter (Optional)	(B Type) (BH Type)
Buzzer Tone Type	Pulse 7 Melodies	(B Type) (BH Type)
Dimensions	84 x 84 x 154 mm	
Weight Approx	240g	
Protection	IP65	
Body Material	ABS	
Mounting	Bolt Mounting	
Luminous Source	LED	
Lens Material	Polycarbonate	
Temperature Range	-20°C to +50° C	

Technical Drawings



Connections



Code Key

İL - XMB - V8 - 24K

SIGNAL TYPE

- S** : Continuous
- F** : Flashing
- D** : Rotate
- Ç** : Strobe
- M** : Multi (Continuous / Flashing / Strobe / Rotate)

BUZZER

- Blank** : No Buzzer
- B** : With 92 dB Buzzer
- BH** : With 110 dB Buzzer

MOUNTING TYPE

- V** : Bolt Mounting

LENS COLOR

- K** : Red ●
- S** : Yellow ●
- Y** : Green ●
- M** : Blue ●
- B** : White ○
- T** : Amber ●

SUPPLY VOLTAGE

- 12** : 12 VAC/VDC
- 24** : 24 VAC/VDC
- 48** : 48 VDC
- 11** : 110 VAC
- 22** : 220 VAC

BODY

- 8** : Q80