



Technical Data - Electrical Ratings

Voltage Supply	12-24 VDC / 110-220VAC
Signal Type	Multi(Continuous/Flasher/Strobe/Rotate)
Light Colors	Red, Yellow, Green(Inquire for more colors)
Power Consumption	3.2 W
Connection	With Cable
Dimensions	140x230mm
Weight Approx	1.2 kg
Protection	IP65
Body Material	Aluminum
Mounting	Base Mounting
Luminous Source	LED
Lens Material	Polycarbonate



Temperature



High IP value



Shock / Vibration resistant

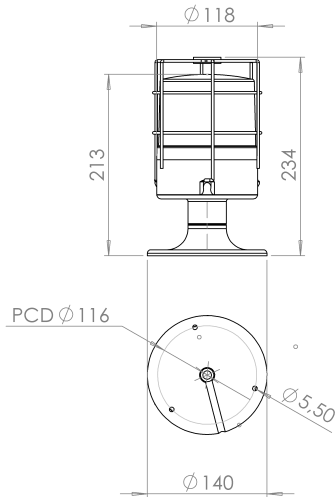


Magnetic field proof



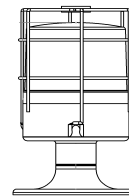
SMD LED Light

Technical Drawings



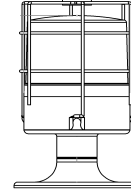
Connections

12-24 V



Black(0 V)
Red (12-24V)

220 V



Blue : 220 VAC
Brown: 220 VAC
Yellow: Earth Ground

Code Key

İL - XHD - 22K

PRODUCT

HP: HD Series

SUPPLY VOLTAGE

12 : 12-24 VDC
22 : 220 VAC

LENS COLOR

K : Red ●
S : Yellow ●
Y : Green ●
M : Blue ●