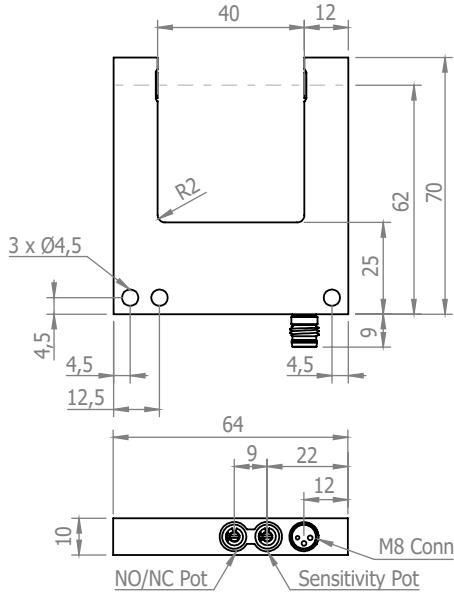




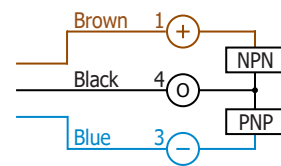
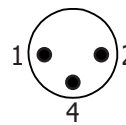
### Technical Data - Electrical Ratings

Voltage Supply	10 to 30 VDC
Insulation Voltage Endurance	500 V
Rated Output Current	120 mA
No Load Current	<35 mA
Switching Frequency	250 Hz
Output	NPN NO/NC, PNP NO/NC
Operating Principle	Optical
Resolution	0,4 mm
Evaluation	Static
Sensitivity	Adjustable
Emitted Light	Red Light
Ambient Light Immunity	50 klx
Branch Length Inside	45 mm
Fork Opening Length	40 mm
Connection	M8 3 Pin Male Connector
Dimensions	64 x 70 x 10 mm
Weight Approx	45 g
Body Material	Anodized Aluminium
Temperature Range	-25°C to +60° C
Protection	IP65
Degree of Protection	III, Safety Extra-Low Voltage
Conforming Standard	EN 60947-5-2
Country of Origin	TR

### Technical Drawing



### Connection



### Code Key

### OFKM 40P35 / L83

#### OFKM SERIES

#### FORK OPENING SIZE

- 10 : 10 mm
- 20 : 20 mm
- 30 : 30 mm
- 40 : 40 mm
- 50 : 50 mm
- 80 : 80 mm
- 120 : 120 mm

#### OUTPUT SIGNAL

- N : NPN
- P : PNP

#### CONNECTION

- L83 : M8 3 Pin Male Connector
- L84 : M8 4 Pin Male Connector
- KS : Cable

#### SENSITIVITY

- Blank : Fixed (for OFKM10 only)
- 5 : Adjustable With Potansiometer

#### OPERATION TYPE

- 1 : Light Operate (for OFKM10 Only)
- 3 : Light / Dark Operate