



Technical Data - Electrical Ratings

Voltage Supply	12VDC / 12-80VDC/AC / 110-220VAC
Signal Type	Multi(Continuous/Flasher/Strobe/Rotate)
Light Colors	Red, Yellow, Green (Inquire for more colors)
Power Consumption	12 W
Connection	With Cable
Buzzer Output	120 dB @ 1 meter
Buzzer Tone Type	7 Melodies
Dimensions	127x127x137mm
Weight Approx	785,5g
Protection	IP65
Body Material	ABS
Mounting	Base Mounting
Luminous Source	LED
Lens Material	Polycarbonate



Temperature



High IP value



Shock / Vibration resistant

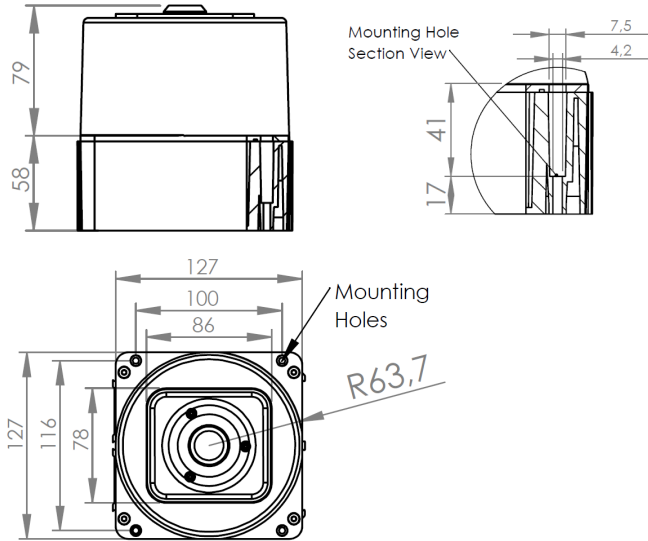


Magnetic field proof

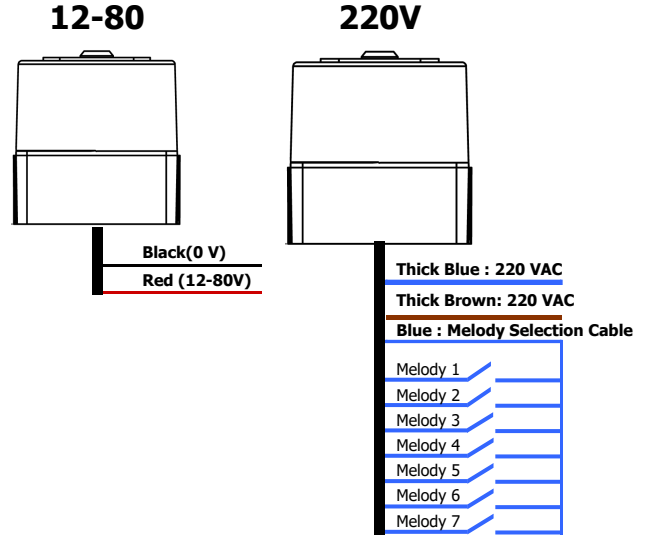


SMD LED Light

Technical Drawings



Connections



Code Key

İL - XHP - 22BK

PRODUCT

HP: HP Series

SUPPLY VOLTAGE

12 : 12-80 VDC/VAC
22 : 220 VAC

LENS COLOR

K : Red ●
S : Yellow ●
Y : Green ●
M : Blue ●
B : White ○

BUZZER

Blank: Without Buzzer
B : With Buzzer